

Delphi experimentet
vid

LEP acceleratoren
på

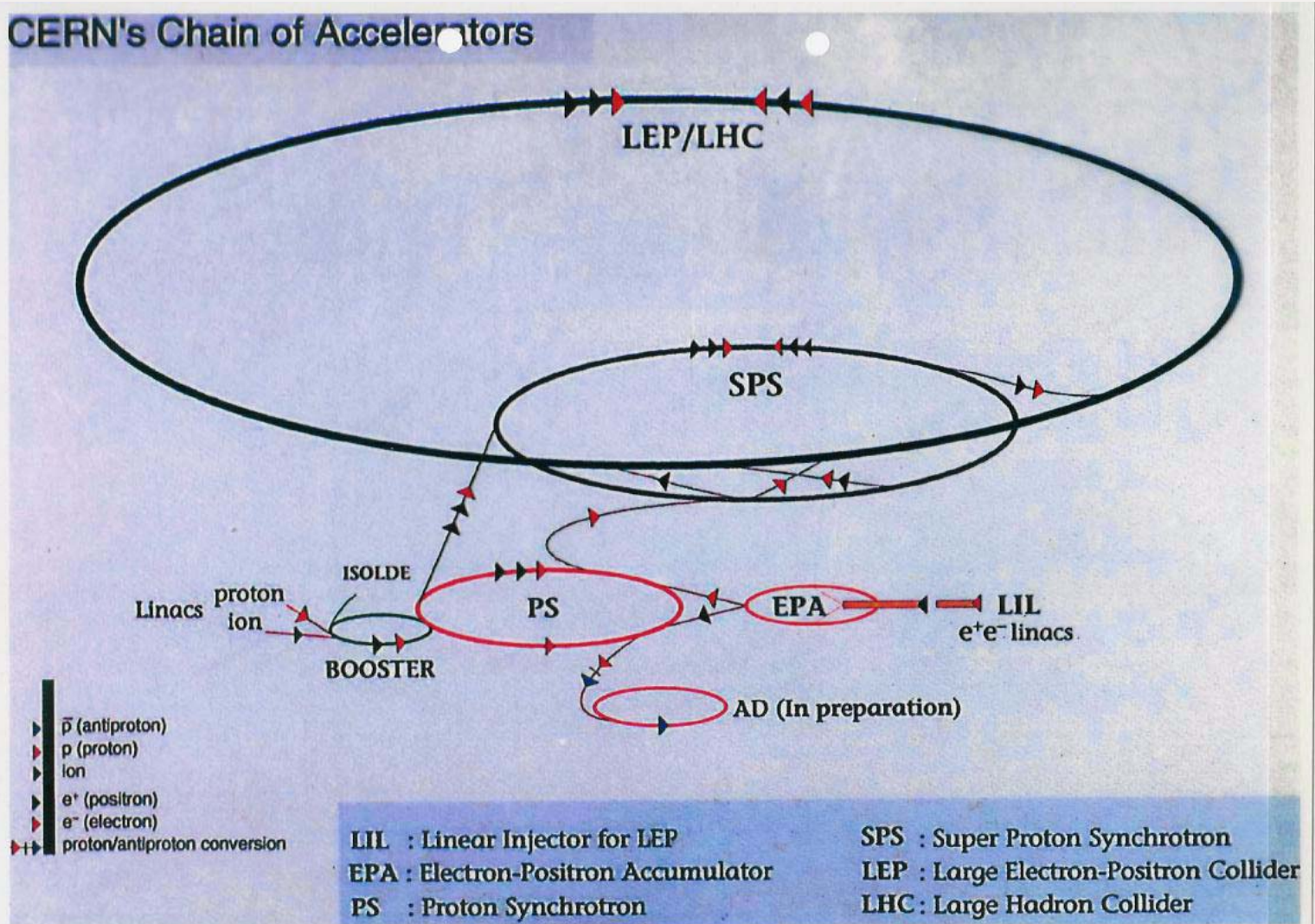
CERN laboratoriet

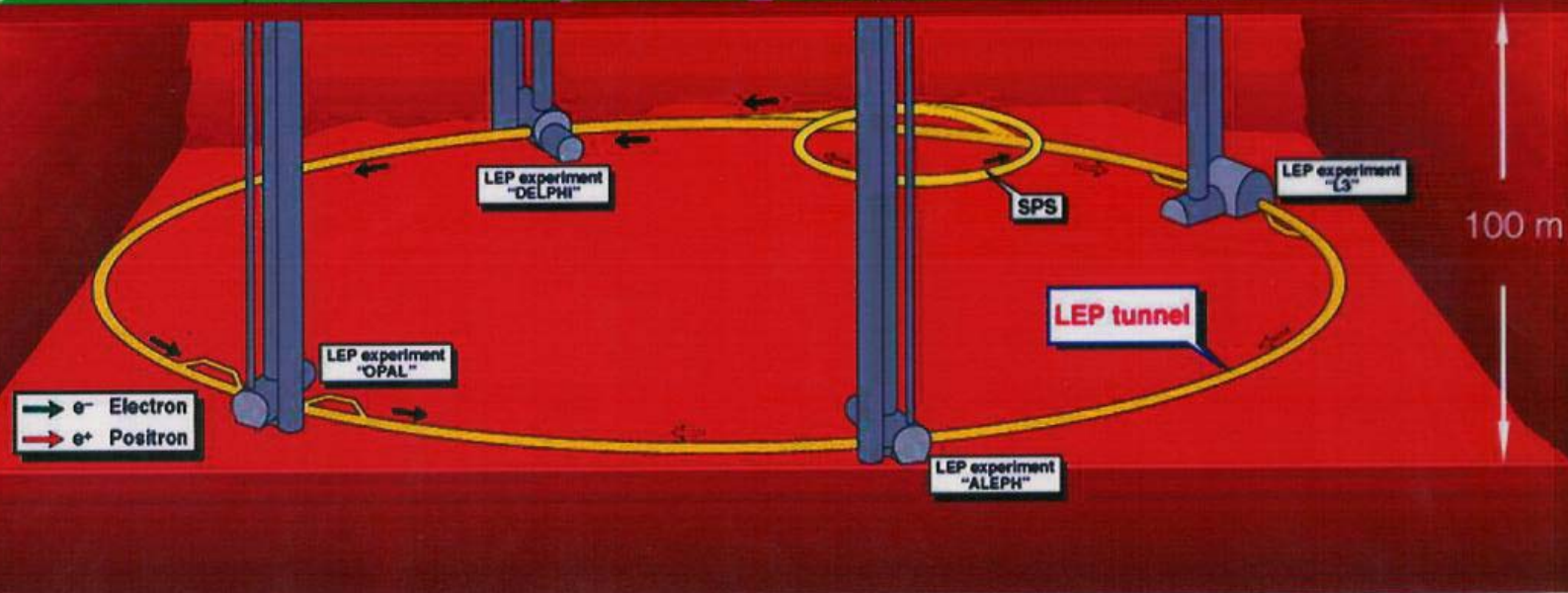
Studiet av kollisioner mellan
elektroner (med energin 46 GeV)
och positroner (med energin 46 GeV).

\Rightarrow Kollisionsenergin = 91 GeV = m_{Z^0}

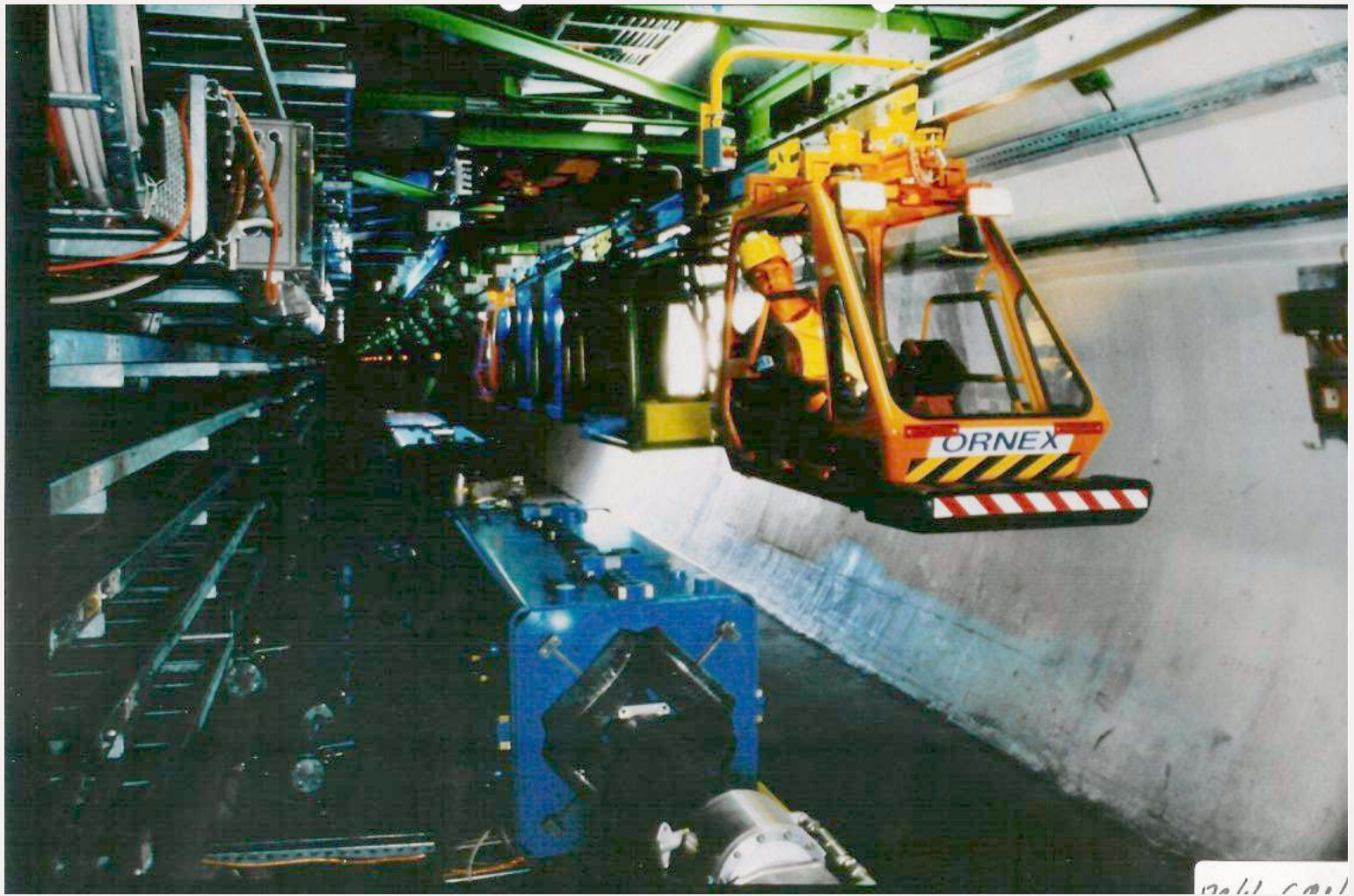


CERN's Chain of Accelerators

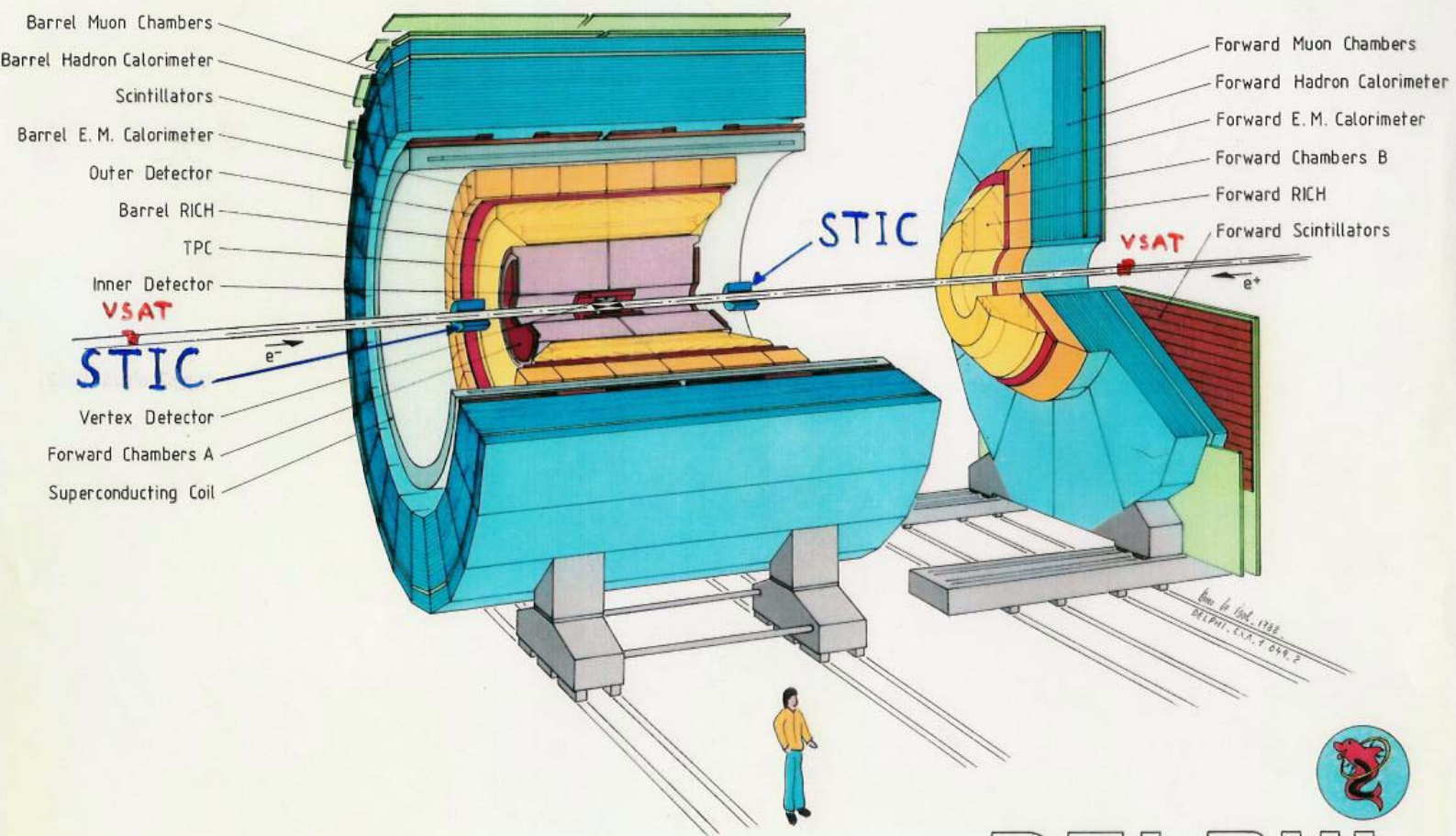








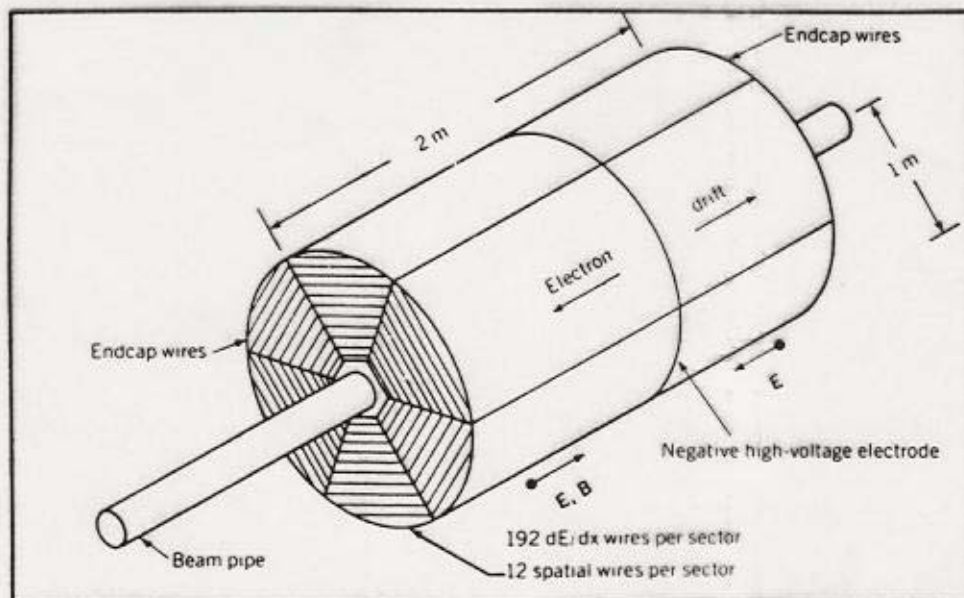
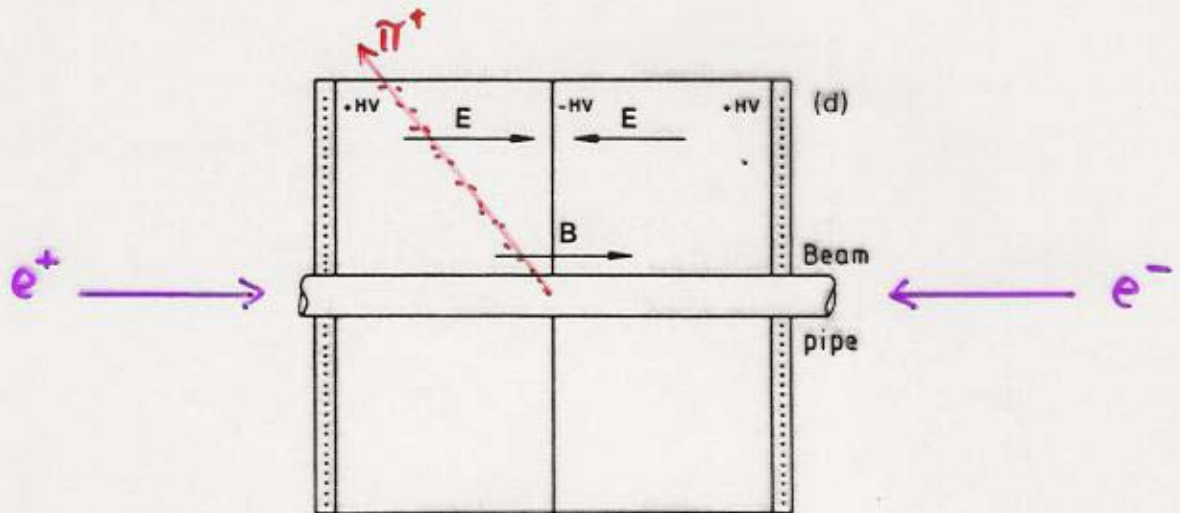
02/11/2011

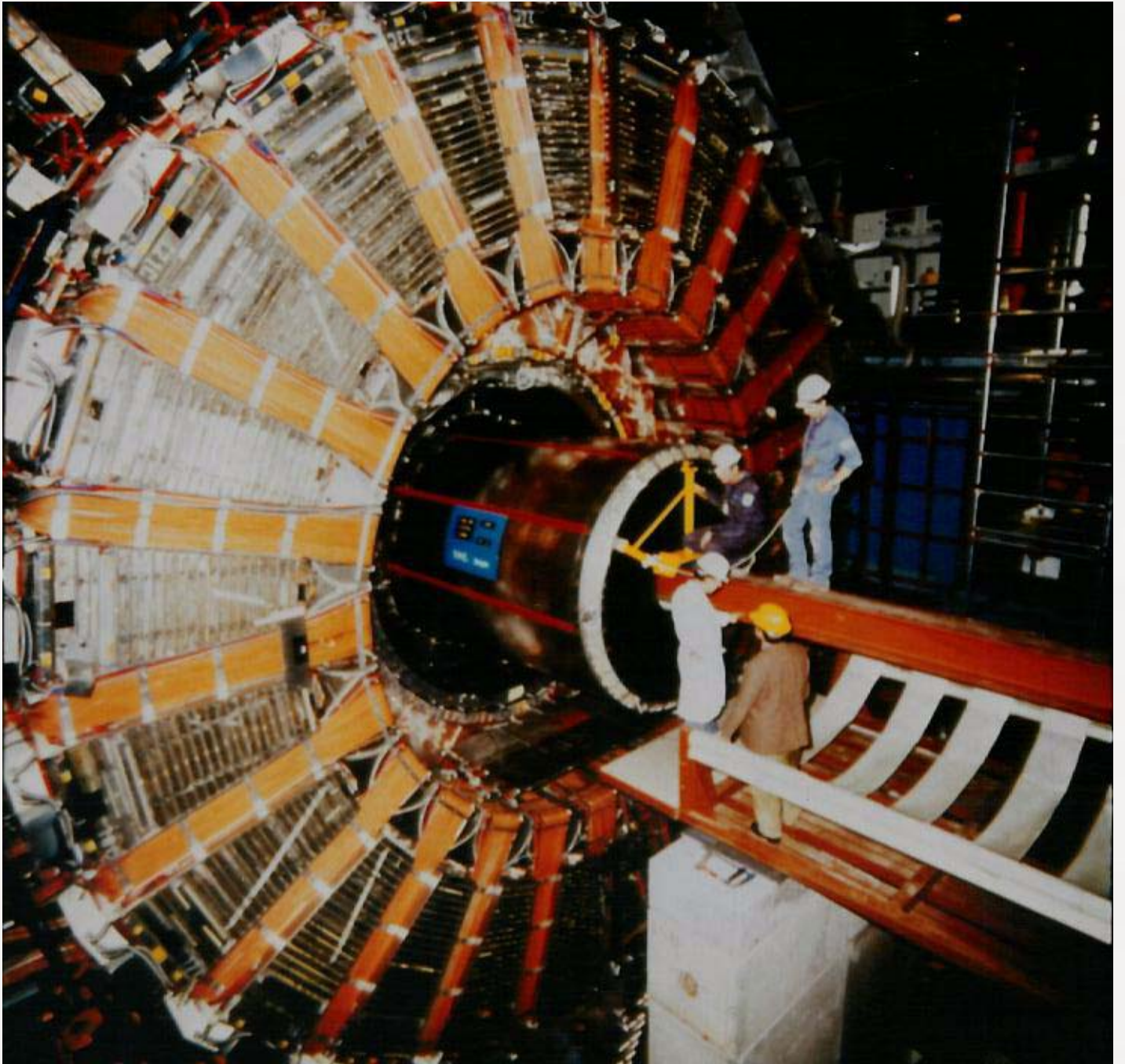


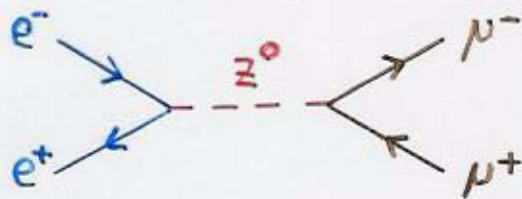
DELPHI



Time Projection Chamber



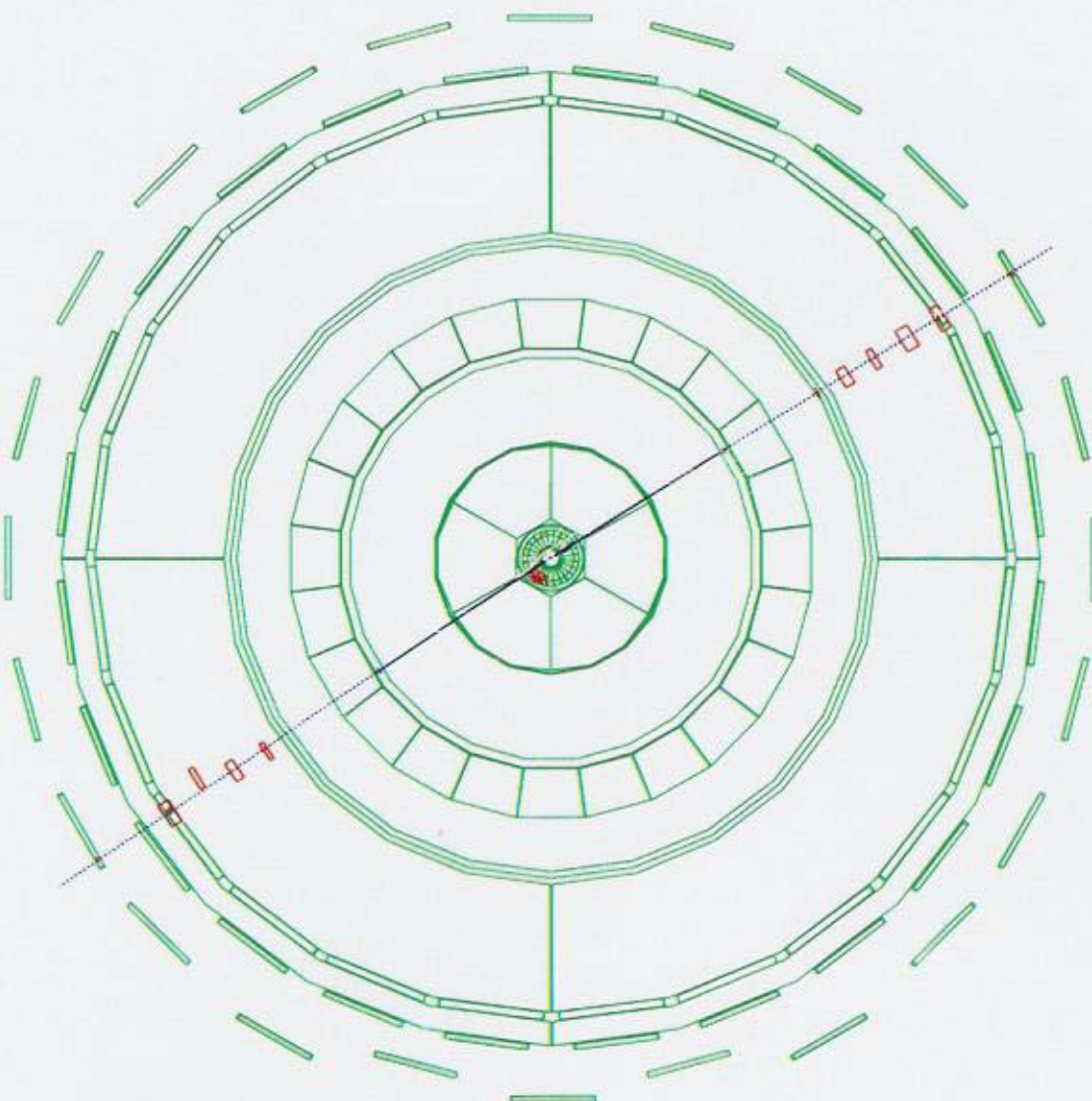


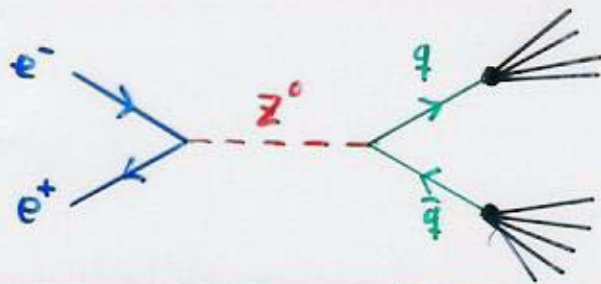


DELPHI Interactive Analysis

Beam: 45.6 GeV Run: 26154 DAS : 25-Aug-1991
 Proc: 1-Oct-1991 Evt: 1417 21:36:22
 Scan: 19-Feb-1992

	ID	TE	TS	TR	TV	ST	PA
Act	26	29	0	2	0	0	0
	(28)	(29)	(0)	(2)	(3)	(0)	(0)
Deact	0	0	0	0	0	0	0
	(0)	(2)	(0)	(2)	(0)	(0)	(0)

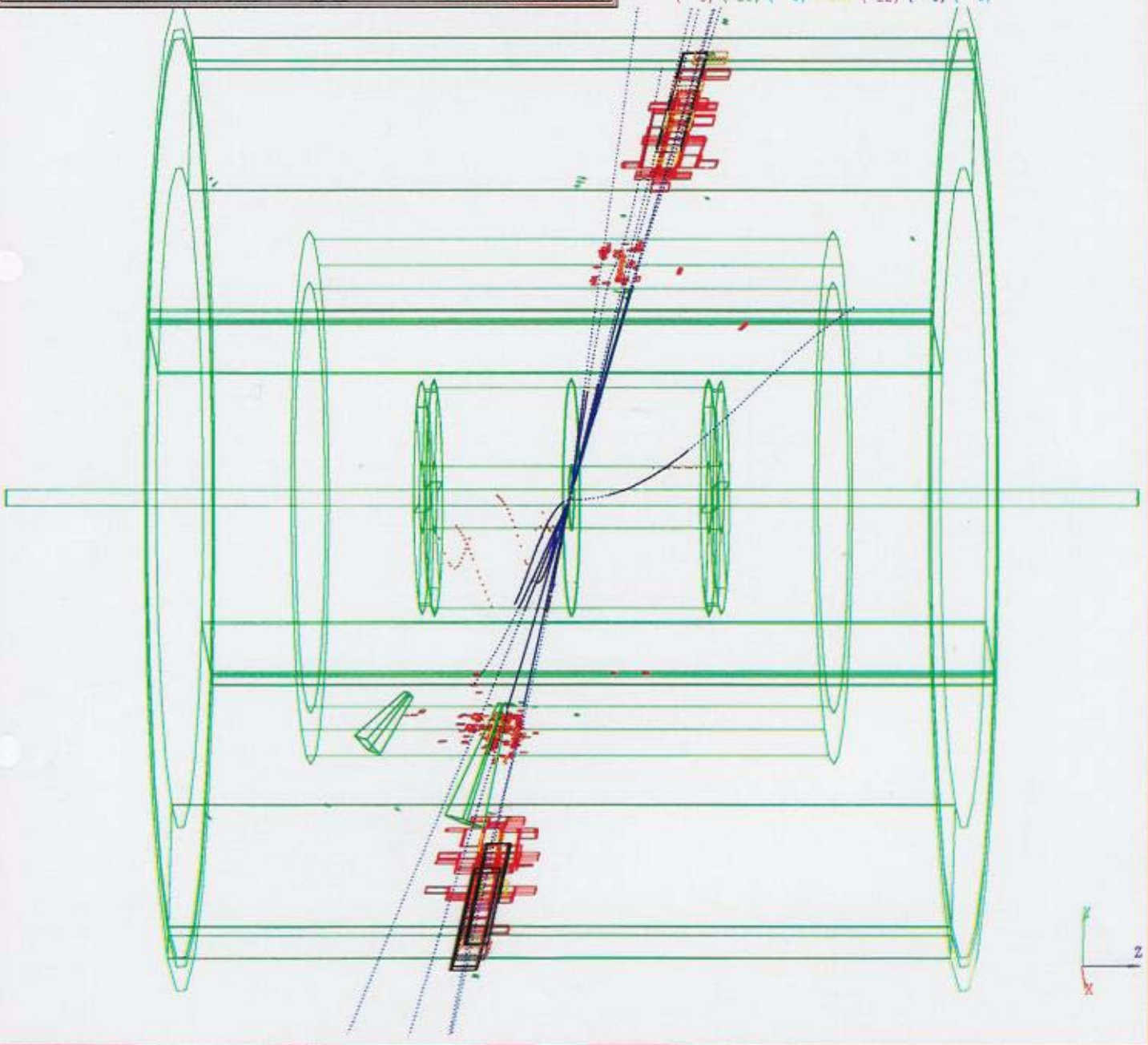




DELPHI Interactive Analysis

Beam: 45.6 GeV Run: 26154 DAS : 25-Aug-1991 21:47:02
 Proc: 1-Oct-1991 Evt: 3018 Scan: 19-Feb-1992

	TD	TE	TS	TR	TV	ST	PA
Act	14	72	0	27	0	0	0
	(93)	(133)	(0)	(23)	(18)	(0)	(0)
Deact	0	0	0	0	0	0	0
	(0)	(13)	(0)	(23)	(12)	(0)	(0)



Cross-section

