

**ELECTROMAGNETIC CALORIMETER**

**BARREL**

Accordeon lead absorbers  
Liquid Argon

**ENDCAP**

Accordeon lead absorbers  
Liquid Argon

**HADRONIC CALORIMETER**

**BARREL**

Flat iron absorbers  
Scintillator Tiles

**ENDCAP**

Flat Copper absorbers  
Liquid Argon

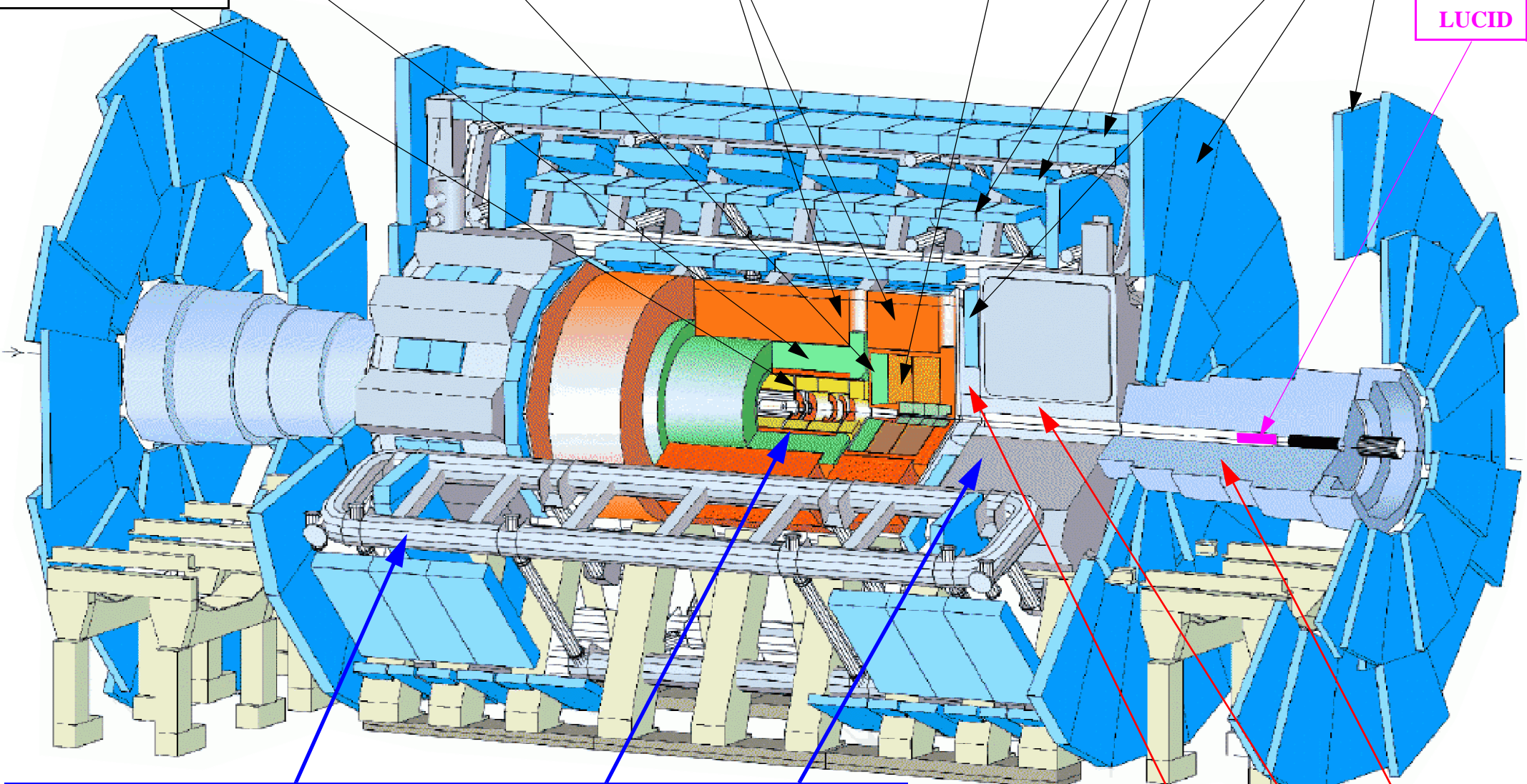
**MUON DETECTOR**

**BARREL**

**ENDCAP**

**LUCID**

**INNER DETECTOR**



**MAGNETS:**

**BARREL TOROID**  
20500 A - 4 TESLA

**SOLENOID**  
6000 A - 2 TESLA

**ENDCAP TOROID**  
20500 A - 4 TESLA

**SHIELDING: DISK TOROID FORWARD**